


Oven cooking made easy

With some simple and convenient oven functions, you can rely on your oven to effortlessly produce some great and well-cooked dishes.

Product Benefits & Features
An oven that cleans itself, so you don't have to

The Catalytic Cleaning feature helps to avoid the build-up of dirt and grease in the oven. This self-cleaning technology automatically starts to work when the oven's temperature reaches 250°C. Removing any trace of cooking residue, making cleaning effortless.

- Built-in oven
- Multifunctional oven with ring heating element
- Oven energy class: A
- Oven cooking functions: Bottom heat, Conventional/Traditional cooking, Defrost, Fast grilling, Grilling, Light, Moist fan baking, True fan cooking
- Anti fingerprint stainless steel
- Oven cavity with 2 baking levels
- Retractable knobs
- Electronic oven functions overview: Accustic signal, Duration, End, Minute minder, Time
- Catalytic stayclean oven lining
- Easy to clean door
- Cooling fan
- Trays supplied with the oven: 1 Cake tray black enamel, 1 Dripping pan black enamel
- Grids supplied with the oven: 1 Wire shelf chromed
- Electric cable length: 1.1 m

Cook quicker – cook more economically

With hot-air fan cooking, you can cut your cooking times and reduce the temperature. As a result, you save time and cooking becomes more economical.


Straightforward control – with retractable knobs and countdown function

For straightforward control, this interface with LED display has a countdown function. It has retractable knobs and push buttons for direct access to the temperature and practical heating modes.

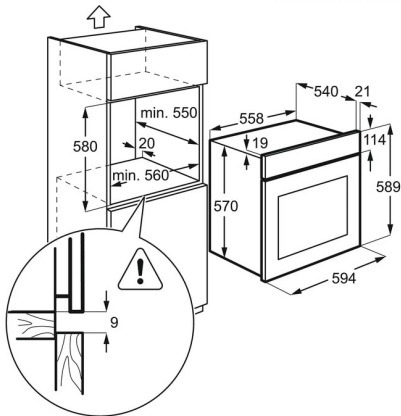

Power grilling

Achieve the best grilling results, even for smaller dishes, is quick and easy with this oven's dual circuit grill.

Product Specification

Product Installation	Built_In	Type of timer min.	SET
Product Typology	BI_Oven_Electric	Electronic Oven Control	SET
Product Classification	Core	Feature Electronics	Accustic signal, Duration, End, Minute minder, Time
Type	Single	Cooking function top oven	Bottom, Fan + light, Fan + top + grill + bottom, Grill, Grill + top, Grill + top + fan, Light, Ring + fan, Top + bottom
Installation	BI	Cooking function bottom oven	No
Size	60x60	Height total	590
Oven Energy	Electrical	Width mm	594
Cooking	Fan + Ring	Depth mm	560
Cleaning top oven	Catalytic	Built in depth mm	550
Cleaning bottom oven	No	Built in height mm	593
Nø of cavities	1	Built in width mm	560
Design family	Inspiration	Gas category	No
Main colour	Stainless steel with antifingerprint	Frequency	50/60
Control Panel material	Metal Frame with Glass on Top	Voltage	220-240
Type of doors	1 Horizontal stripe, 2 Glasses, Plastic	Required fuse (A)	13
Type of handle	Metal	Cord length external	1.1
Door type bottom oven	No	Type of plug	No
Door hinges	Drop Down Equilibrated, Drop Down Removable	Total electricity loading (W)	2500
Drawer	No	Max power grill - Top Oven	2450
Control lamps	Power on, Thermostat Indicator	Bottom element power - Top Oven	1000
Hob control	No	Top element power - Top Oven	800
Thermostat	Yes		

PSGBOV140D002004



PSGBOV140D002005

