

BPE55220B BI Oven



ADD STEAM FOR CRISPIER BAKING

In addition to all your standard oven functions, the PlusSteam button in this SteamBake oven adds steam at the beginning of the baking process. The steam cooking keeps the dough moist on the surface to create a golden color and tasty crust, while the heart



Perfect results with the Food Sensor

Thanks to the Food Sensor of this oven you can measure the core temperature from the center of your dish during the cooking process. So you get the perfect results everytime.



A self-cleaning oven

With one touch of the Pyrolytic cleaning function, dirt, grease and food residue in the oven is converted into ash that you can easily wipe off with a damp cloth.

More Benefits :

- The Soft Closing Door system ensures a smooth and soundless door closing
- Hexagon timer display gives you even tighter control over the precise cooking of your dishes
- Safe to Touch Top keeps the door cool and safe to touch

Features :

- Built-in oven
- Multifunctional oven with ring heating element
- Oven cooking functions: Bottom (fs), Fan + acc (fs), Grill (40) + bottom (fs), Grill (fs), Grill + bottom (50), Grill + fan (fs), Ring (40) + fan (30°C fix), Ring (50) + fan + acc (fs), Ring (70) + bottom + fan (fs), Ring + bottom + fan (fs), Ring + evaporator + fan, Ring + fan (fs), Ring + fan + acc (fs)
- Oven cavity with 3 baking levels
- Fast oven heat up function
- Meat Probe
- PYROLUXE® PLUS self-cleaning system, 2 cycles, with reminder function
- SoftMotion™ for a smooth, silent action when closing the door
- Automatic temperature proposal
- Electronic temperature regulation
- Electronic lock function
- Electronic Child Lock safety function
- Residual heat indication
- Retractable knobs

Technical Specs :

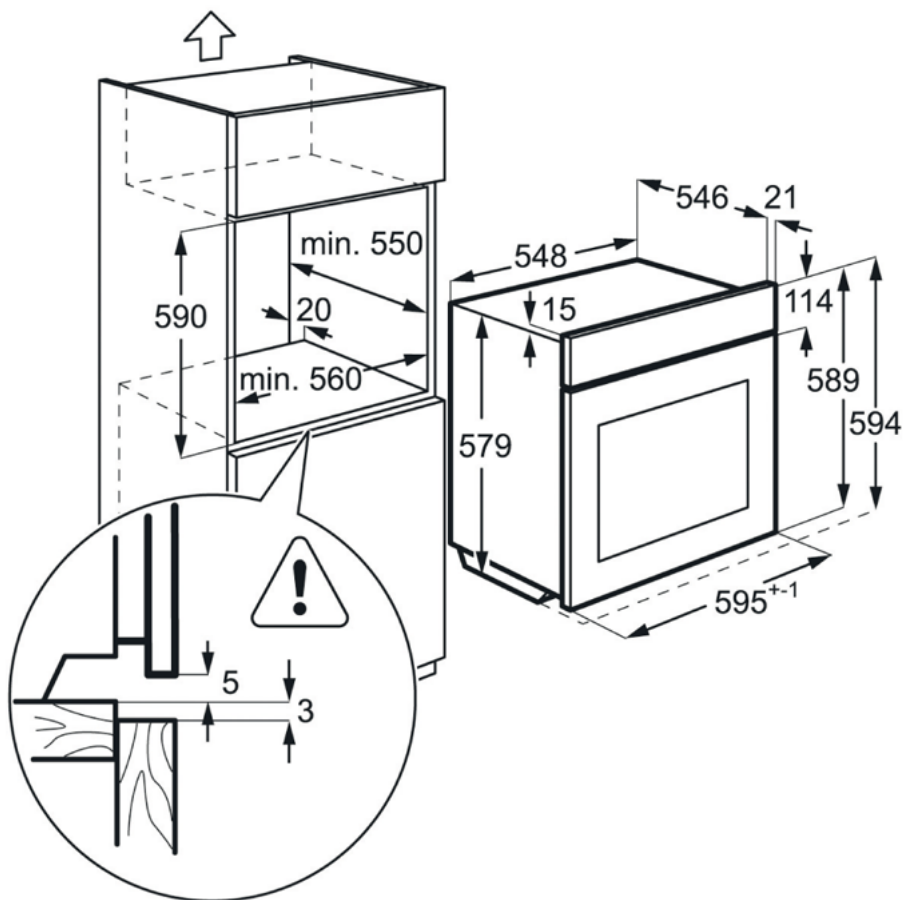
- Product Installation : Built_In
- Product Typology : BI_Oven_Electric
- Product Classification : Statement
- Type : Single
- Installation : BI
- Size : 60x60
- Oven Energy : Electrical
- Cooking : Fan + Ring
- Cleaning top oven : Pyrolytic
- Cleaning bottom oven : None
- Nø of cavities : 1
- Design family : Mastery Range
- Main colour : Black
- Control Panel material : Glass
- Type of doors : 4 Glasses, Baking chart with symbol
- Type of handle : Metal
- Door type bottom oven : None
- Door hinges : Drop Down Removable, Soft closing
- Drawer : No
- Control lamps : Oven Regulation, Power on, Steam
- Hob control : No
- Left front - Hob control : None
- Rear - Hob control : None
- Right front - Hob control : None
- Right rear - Hob control : None
- Thermostat : Top
- Type of timer min. : HEXAGON
- Electronic Oven Control : Hexagon 5K-T.T.P.F-DS
- Feature Electronics : Acoustic signal, Automatic switch off only oven, Check result, Child lock (off mode), Cleaning reminder, Count up timer, Demo mode with code, Display with Symbols, Door switch for light, Duration, Electronic temperature regulation, Electronical door lock, End Time, Evaporator, Fast heat up selectable, Food sensor, Food sensor automatic switch off, Food sensor core temperature indication, Food sensor estimation, Function lock (running mode), Minute minder, Oven light on/off selectable, PlusSteam, Pyrolytic cleaning (2 cycles), Pyrolytic

Product Description :

AEG944 187 713

BPE552220B BI Oven

PSGBOV170D363001



PSGBOV170D363002

