

BEB351010B BI Oven



ADD STEAM FOR CRISPIER BAKING

In addition to all your standard oven functions, the PlusSteam button in this SteamBake oven adds steam at the beginning of the baking process. The steam cooking keeps the dough moist on the surface to create a golden color and tasty crust, while the heat



Cooked Evenly everywhere

With this oven, using energy efficiently also means cooking efficiently. It has a new convection system called Hot Air, which ensures hot air circulates evenly throughout the oven cavity. The result is that the oven heats up faster and cooking temperatures can be



Cook more at the same time and still get a perfect result

The additional heating ring in our oven ensures your dishes are evenly cooked – even when loaded with up to three trays – for corner to corner deliciousness. Sure to make each portion as perfect as the last.

More Benefits :

- Insert oven trays smoothly into the racks
- Check on the progress of your dish using the timer display. It gives you an at-a-glance overview of the status of the cooking process.
- The Safe to touch plus door keeps the outside of the door at a low temperature.

Features :

- Built-in oven
- Multifunctional oven with ring heating element
- Oven cooking functions: Bottom, Fan + light, Grill, Grill + top, Grill + top + fan, Light, Ring + bottom + fan, Ring + fan, Ring + fan + evaporator, Top + bottom
- Oven cavity with 3 baking levels
- Electronic timer
- Retractable knobs
- Electronic oven functions overview: Accoustic signal, Duration, End, Minute minder, Time
- Halogen oven lighting
- Baking chart on oven door inside
- High gloss enamel oven lining, easy to clean
- ISOFRONT® PLUS cool oven door
- Easy to clean door
- Top heating element removable for easy cleaning
- Cooling fan
- Trays supplied with the oven: 1 Dripping pan grey enamel
- Grids supplied with the oven: 1 Trivet chromed, 2 Wire shelves chromed

Technical Specs :

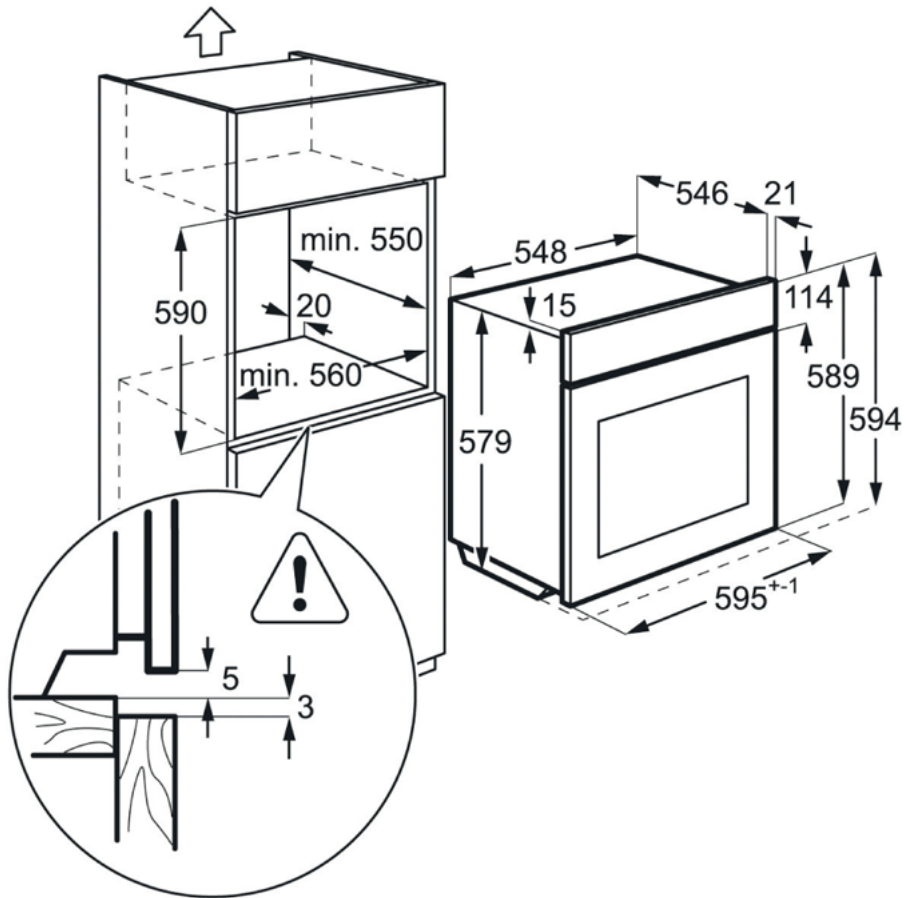
- Product Installation : Built_In
- Product Typology : BI_Oven_Electric
- Product Classification : Performance
- Type : Single
- Installation : BI
- Size : 60x60
- Oven Energy : Electrical
- Cooking : Fan + Ring
- Cleaning top oven : Easy to clean Enamel/Aqua Clean
- Cleaning bottom oven : No
- Nø of cavities : 1
- Design family : Mastery Range
- Main colour : Black
- Control Panel material : Steel
- Type of doors : 1 Horizontal stripe glued and painted, 3 Glasses, Baking chart with symbol
- Type of handle : Metal
- Door type bottom oven : No
- Door hinges : Drop Down Removable
- Drawer : No
- Control lamps : Oven Regulation, Power on, Steam
- Hob control : No
- Left front - Hob control : No
- Rear - Hob control : No
- Right front - Hob control : No
- Right rear - Hob control : No
- Thermostat : Top
- Type of timer min. : SET
- Electronic Oven Control : SET
- Feature Electronics : Accoustic signal, Duration, End, Minute minder, Time
- Heating function top oven : Hot air 1.4
- Cooking function top oven : Bottom, Fan + light, Grill, Grill + top, Grill + top + fan, Light, Ring + bottom + fan, Ring + fan, Ring + fan + evaporator, Top + bottom
- Height total : 594
- Width mm : 595

Product Description :

AEG944 187 976

BEB351010B BI Oven

PSGBOV170D363001



PSGBOV170D363002

